

**ABADI
TEKNIK
IND**



CATALOG PT. ABADI TEKNIK IND

Special Engineering Electrical & Hydraulic

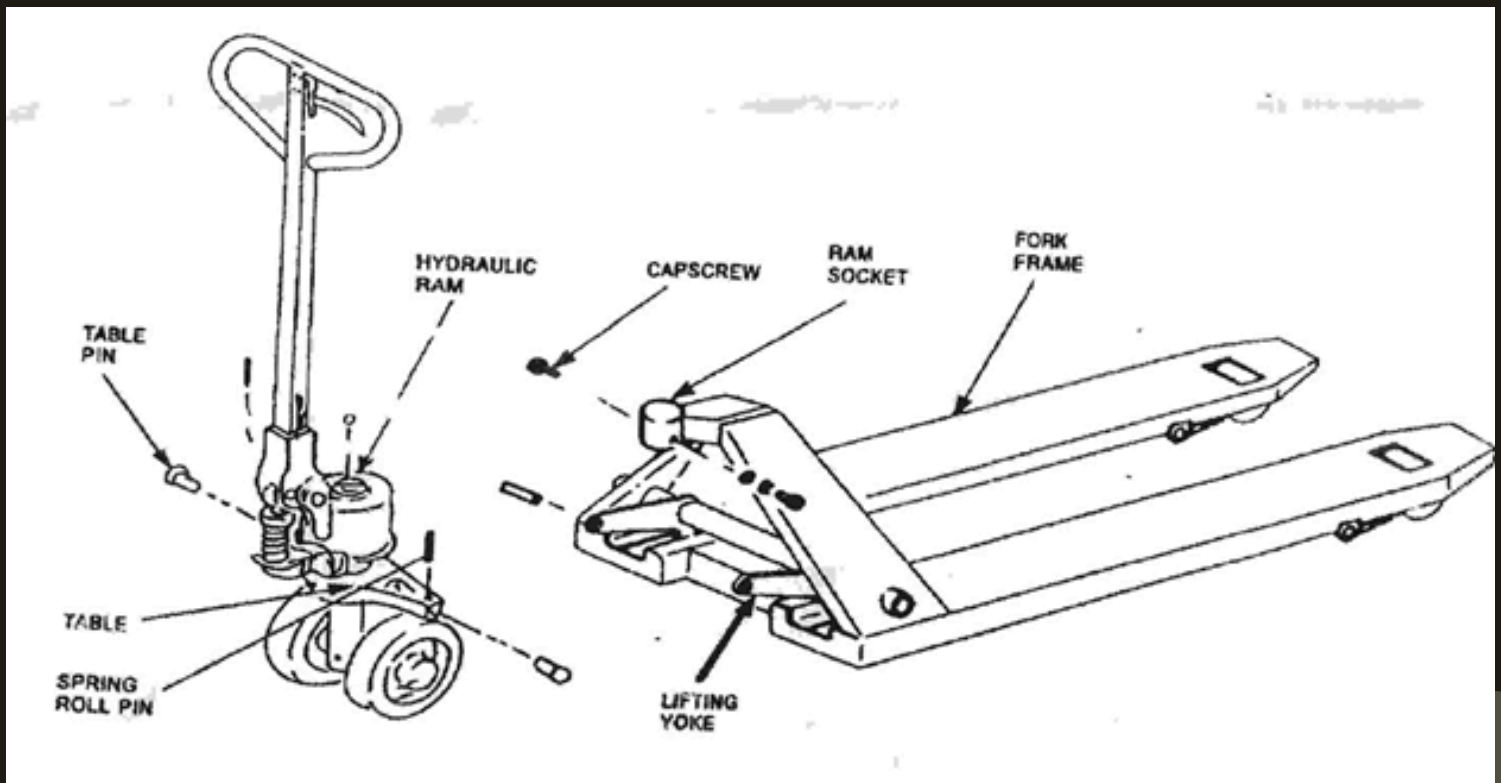
021-52397454
jl. Permata Dalam D7 No.02
003/015 Tegal Alur, Kalideres
Jakarta Barat 11820

Hand Pallet Manual



PT. Abadi Teknik Ind. adalah perusahaan yang bergerak di bidang jasa operasional. Salah satu produk unggulannya adalah hand pallet. Perusahaan ini menawarkan layanan sewa, servis, dan distribusi hand pallet. Pelanggan utama **PT. Abadi Teknik** biasanya berada di wilayah Jabodetabek, terutama perusahaan-perusahaan ekspedisi. Meskipun kebanyakan perusahaan sejenis hanya menawarkan jasa sewa hand pallet, **PT. Abadi Teknik** memiliki kelebihan dengan menawarkan layanan servis dan distribusi.

Tujuan kami adalah menjadi pilihan utama bagi mitra bisnis kami dengan memberikan kontribusi kepada setiap klient kami, melebihi dari yang mereka harapkan, melalui pelayanan istimewa dari kami secara profesional dan integritas penuh.



HANDPALLET NEW !

Handpallet (2 Ton)



Spesifikasi :

Model	CBY-ACL 2.0T
Capacity(kg)	2000
Max. fork height(mm)	175
Min. fork height(mm)	65
Fork length(mm)	1150/1220
Width overall forks(mm)	550/685
Steering wheel(mm)	φ 160x50
Fork wheel(mm)	φ 64x70
Truck weight(kg)	

Handpallet (3 Ton)



HAND PALLET TRUCK

Model	CBY-CA3.0
Capacity(kg)	3000
Min.fork height(mm)	87/75
Max.fork height(mm)	195/185
Lifting height(mm)	110
Fork length(mm)	1150/1220
Single fork width(mm)	160
Width overall forks(mm)	550/685
Fork wheel-single(mm)	80X93/74X93
Fork wheel-tandem(mm)	80X70
Steering wheel(mm)	180X50
Self weight(kg)	
Qty/20 feet container (pcs)	180X144

PAKET JASA SERVICE



Service Hydraulic

sudah termasuk pergantian :

- seal keat
- oring
- oli hidrolik

**Masa garansi 6 bulan.*



Repair Cat Handpallet

sudah termasuk pengecatan :

- handle
- body



Repair Pallet Mesh

sudah termasuk :

- pengelasan
- perakitan
- pengecatan
- pergantian roda (1 Set)



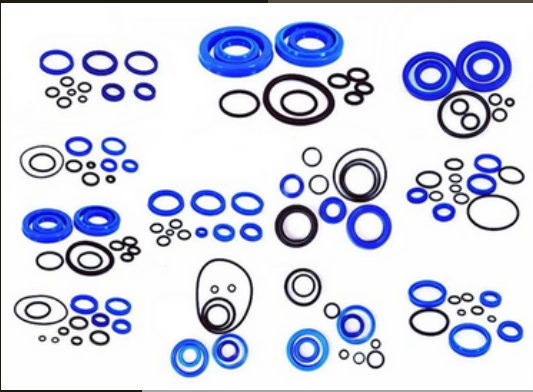
- **Service Maintenance Forklift**
- **Pergantian Filter Hidraulik**
- **Pergantian Oli Hidraulic**
- **Pergantian Oli Gardan**
- **Pergantian Master Rem Bawah**
- **Pergantian Master Rem Atas**
- **Pergantian Roda Forklift**
- **Pergantian Accu**
- **Pergantian Seal Hidraulik, dll...**



Service Timbangan Digital

sudah termasuk :

- Power Supply
- Converter
- Kalibrasi



seal keat



control valve



Spring



Tools Bearing



As Pump



Handle (1 Set)



Fork Wheel



As Hidraulic



Kempesan



Roda Drive Wheel



Push Road



Roda Long Wheel

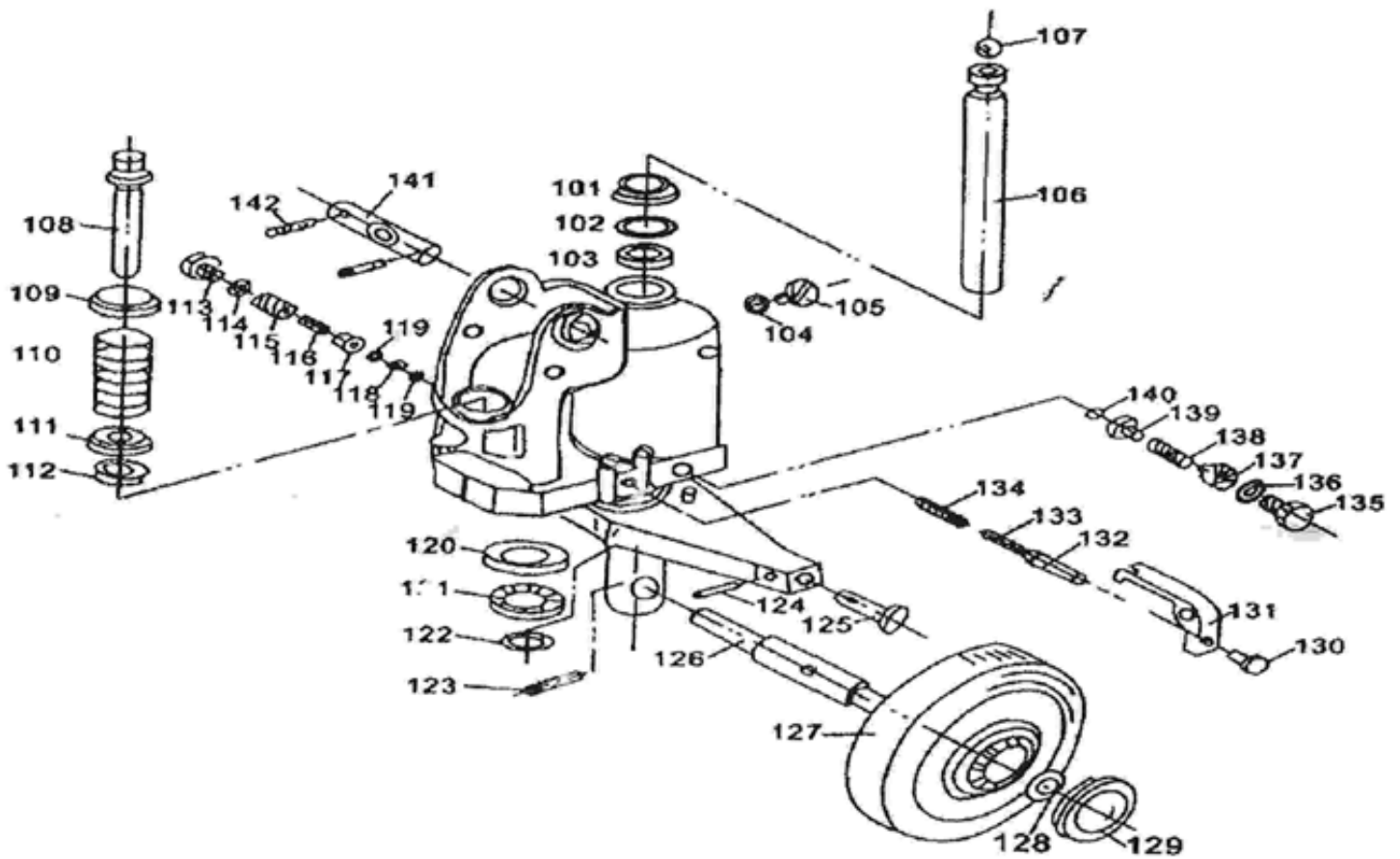


Bracket Roda Handpallet



As Handle

Pump and Rear Wheel Assembly

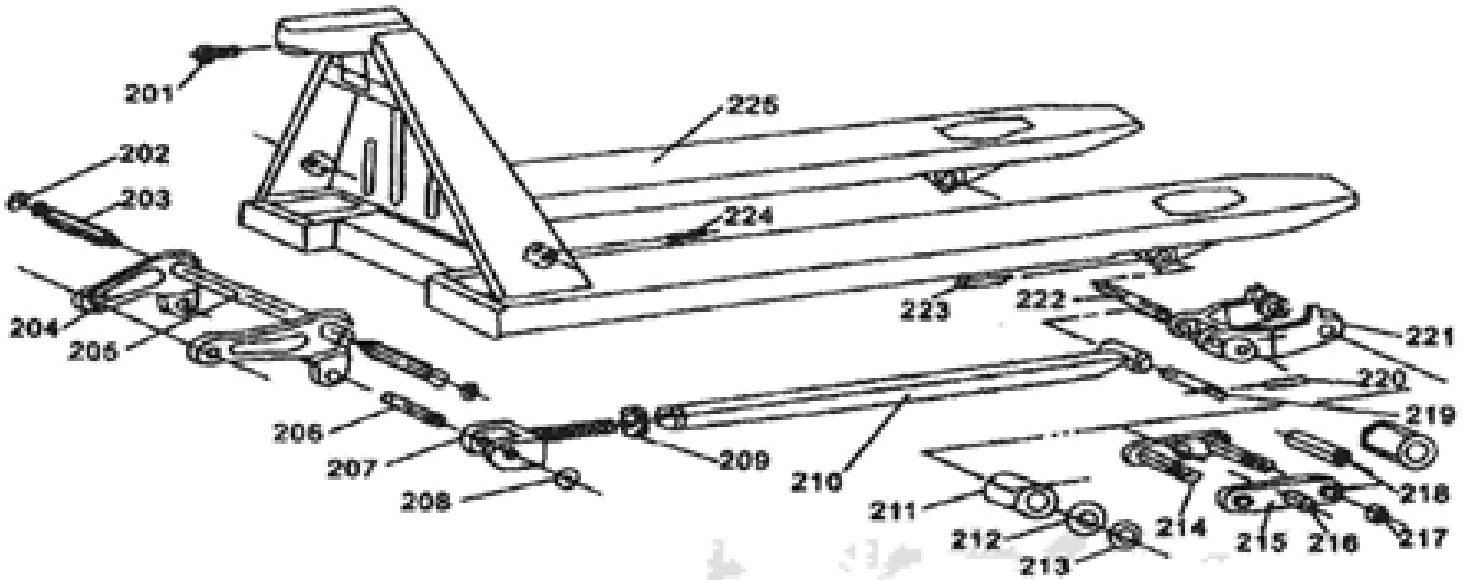


- 101. Dusting Ring
- 102. O-ring
- 103. Y-ring
- 104. O-ring
- 105. Oil Screw
- 106. Lift Piston Rod
- 107. Ball
- 108. Pump Piston Road
- 109. Spring Cap
- 110. Spring
- 111. Dusting Ring
- 112. Y-ring
- 113. Bolt .
- 114. Washer
- 115. Valve Jacket Spring
- 116. Valve Disk Spring

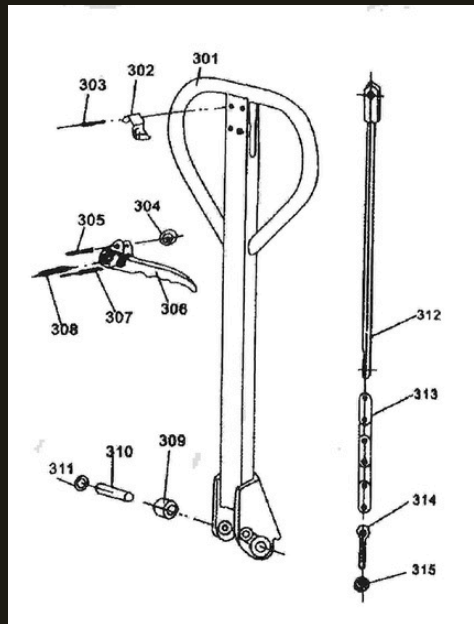
- 117. Valve Jacket
- 118. Ball
- 119. Ball
- 120. Bearing Washer
- 121. Thurst Ball Bearing
- 122. Shaft Spring Ring
- 123. Spring Pin
- 124. Spring Pin
- 125. Seat Pin
- 126. Rear Wheel Axle
- 127. Rear Wheel
- 128. Shaft Spring Ring
- 129. Dust Cap

- 130. Adjusting Screw
- 131. Lowering Lever
- 132. O-ring
- 133. Oil Drainage Rod
- 134. Oil Drainage Rod Spring
- 135. Pressure Adjustment Valve Screw
- 136. O-ring
- 137. Pressure Adjustment Screw
- 138. Pressure Adjustment Spring
- 139. Spring Seat
- 140. Ball

Frame Assembly



- 201. Bolt
- 202. Shaft Spring Ring
- 203. Arm Pin
- 204. Arm (L/R)
- 205. Arm Connection
- 206. Push Rod Pin
- 207. Push Rod Fork
- 208. Shaft Spring Ring
- 209. Round Nut
- 210. Push Rod
- 211. Front Wheel
- 212. Bearing
- 213. Round Washer
- 214. Hexagon Bolt
- 215. Balance Arm
- 216. Balance Arm Axle Head
- 217. Locknut
- 218. Shaft Jacket
- 219. Push Rod Shaft
- 220. Spring Pin
- 221. Front Wheel Frame
- 222. Wheel Frame Axle
- 223. Spring Pin
- 224. Spring Pin
- 225. Frame




Handle Assembly

- 301. Handle
- 302. Spring Plate
- 303. Spring Pin
- 304. Roller
- 305. Spring Pin
- 306. Control Lever
- 307. Spring Pin
- 308. Spring Pin
- 309. Pressure Roller
- 310. Pressure Roller Shaft
- 311. Shaft Spring Ring
- 312. Release Rod
- 313. Roller Chain
- 314. Hinge Screw
- 315. Adjusting Nut

KLIENT KAMI



TALK TO US

 021 - 52397454



Scan Me !